

180° WIDE-ANGLE UV SENSOR PROBE

Genuine UV Technology
GenUV
GUVV-T10GC-H6

FOR THE ACCURATE MEASUREMENT OF SUNLIGHT UV RADIATION



Product by Genicom Co., Ltd. Korea
uvsensor@geni-uv.com

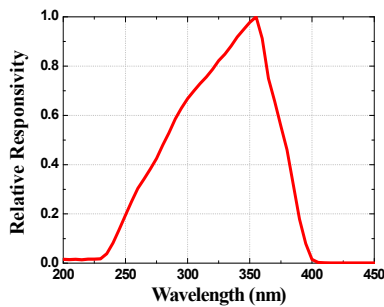
Preliminary ver.

www.geni-uv.com

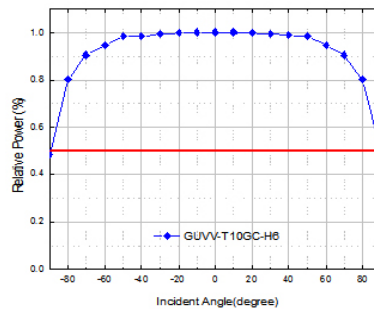
GUVV-T1xGC-H6

Applications	Various measurement		Features
Total UV radiometer	Total UV	230 ~ 395nm	Analog Voltage Output
UV irradiance monitoring	UV Index	280 ~ 400nm	No power supply needed
Measure UV Power from Sunlight	UVA/B	irradiance	180degrees wide-angle

Relative Responsivity

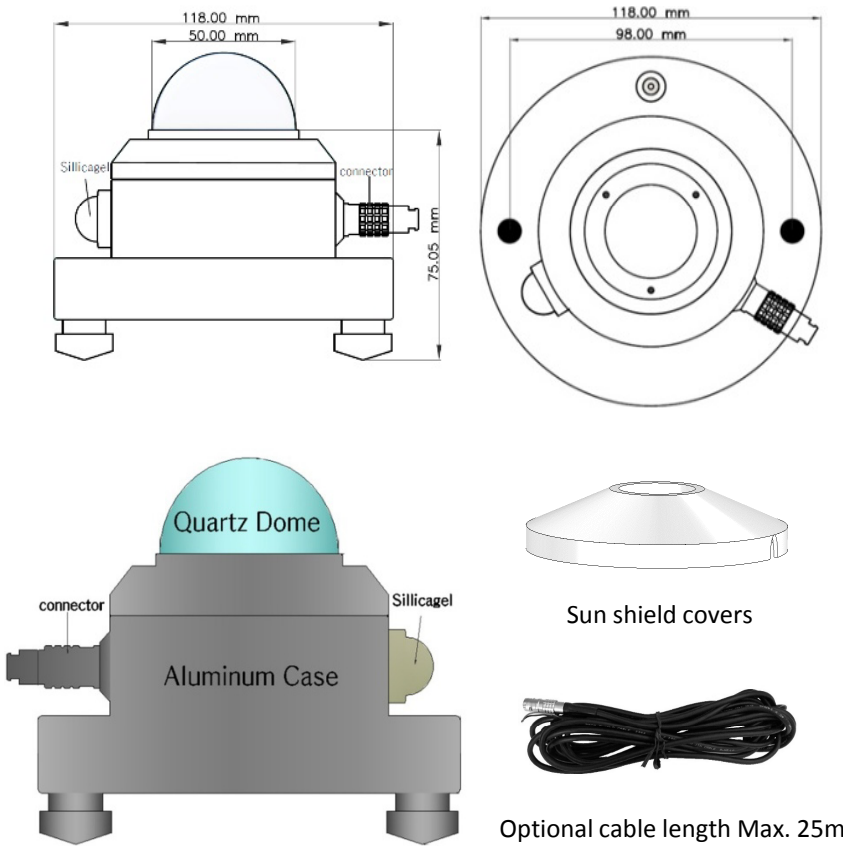


Field of View



Aluminum body for secure durability
Quartz dome for high UV transmission
Level instrument
Replaceable desiccant cartridge
Sun shield covers (option)
Waterproof SUS plug & socket cable connection

Dimensions in mm



Specifications

Storage temperature	- 40 ~ 90°C
Operating temperature	- 30 ~ 85°C
Spectral range	230 ~ 395nm
Sensitivity (Typical)	2mV/mW/cm ²
Maximum irradiance	100mW/cm ²
Impedance (Typical)	10kΩ
Field of view	180°
Directional response (up to 70°)	< 10%
Response time	5ms
IP grade (Connector)	IP67
Standard cable length	10m
Weight	1kg